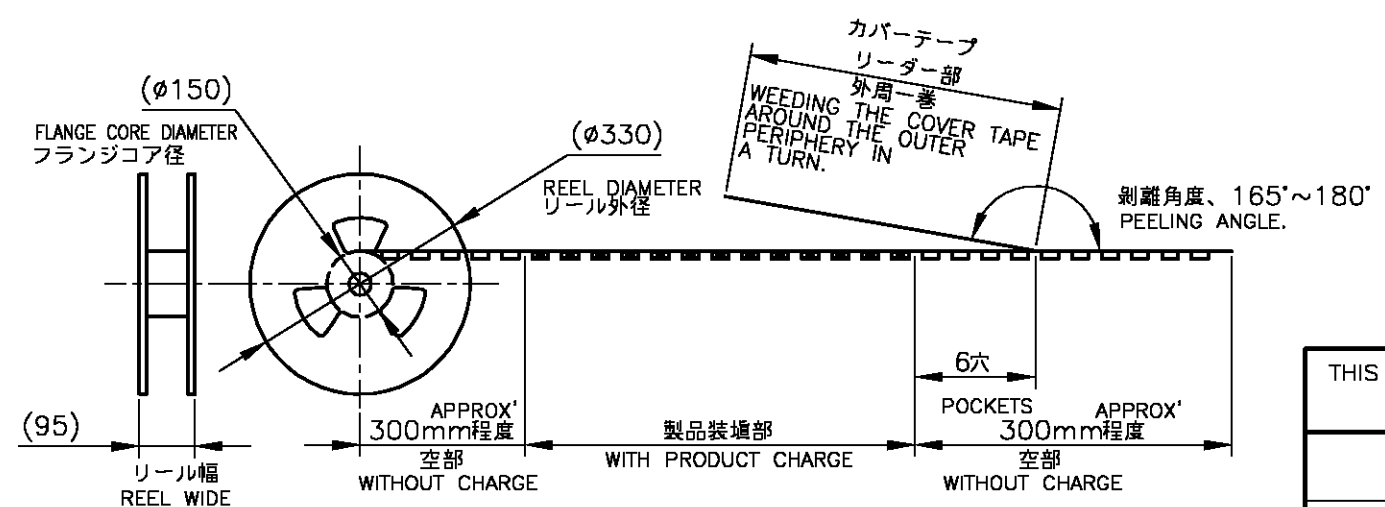
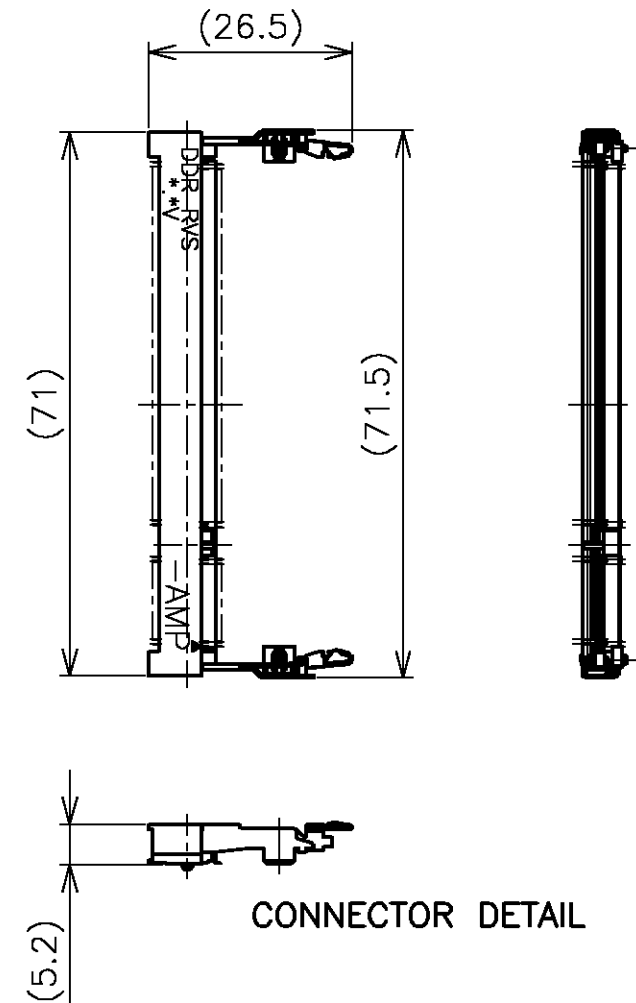
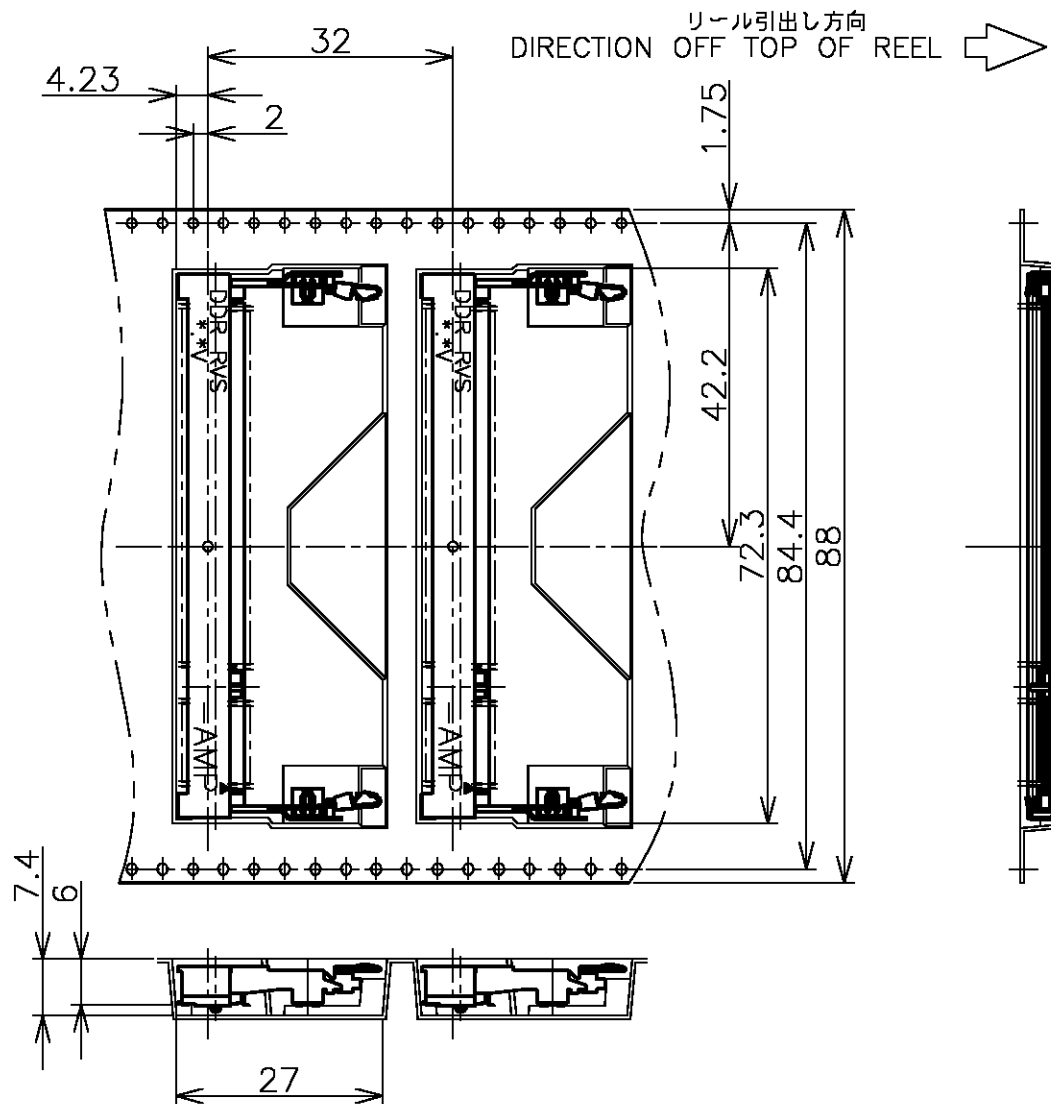


P	LTR	DESCRIPTION	DATE	DWN	APVD
	D	REVISED (FJB0-0954-03)	6JAN04	T.F	H.M



鉛フリー  
LEAD FREE

POWER SUPPLY (TYPE)	QTY	CONNECTOR P/N	P/N
1.8V (DDR2)	150EA/REEL	1565712-4	1565918-4
2.5V (DDR1)	150EA/REEL	1565712-3	1565918-1

THIS DRAWING IS A CONTROLLED DOCUMENT.

DWN T.FUMIKURA 14DEC01  
CHK T.KUSUHARA 14DEC01  
APVD T.KUSUHARA 14DEC01

**tyco** Tyco Electronics AMP K.K.  
**Electronics** Kawasaki, Japan

NAME 名称  
EMBOSS ASSEMBLY  
DDR1 & DDR2 SODIMM SOCKET 200P  
STANDARD PROFILE REVERSE TYPE

PRODUCT SPEC 製品規格  
108-5701

APPLICATION SPEC 取付適用規格

WEIGHT

SIZE A3 CAGE CODE 00779 DRAWING NO. 番号 1565918 RESTRICTED TO

CUSTOMER DRAWING SCALE 尺 1:1 SHEET 1 OF 1 REV D